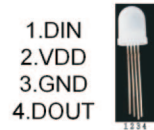


Shift register programmable RGB Lamp

Feature

- Power supply: DC4.5V~6V
- Integrate RGB LEDs with Control IC at same body
- Support 256 dimming level for each color
- Internal frequency up to 800K Hz
- Single wire signal transmission(clock and Data)
- To be controlled by external MCU to achieve target image
- Available on ϕ 5mm, ϕ 8 mm
- No external component required

Package Type



APA-106-F8

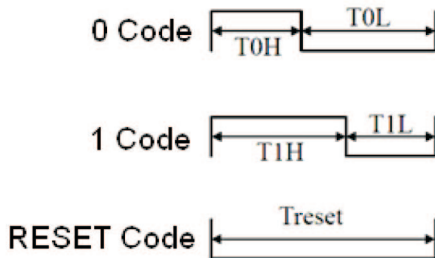


APA-106-F5

Package selection

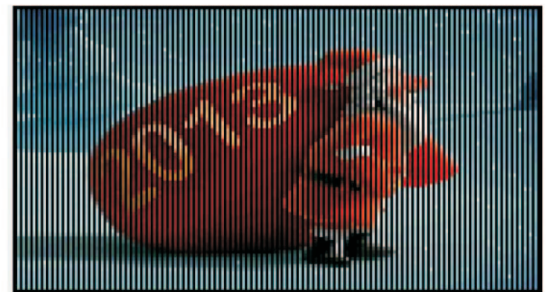
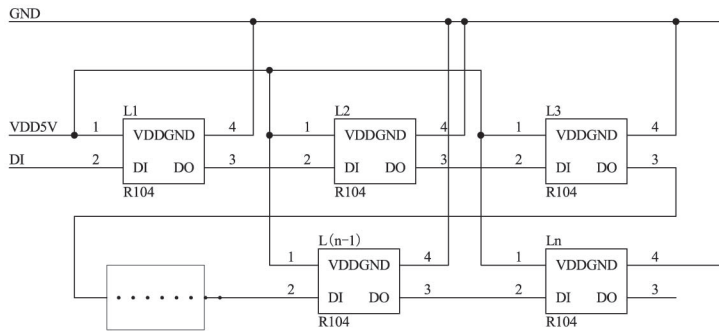
PART No.	Package
APA-106-F8	ϕ 8
APA-106-F5	ϕ 5

Timing waveform



Name	Description	Typically	Allowable error
T0H	0 code, high level time	0.35 μ s	\pm 150ns
T1H	1 code, high level time	1.36 μ s	\pm 150ns
T0L	0 code, low level time	1.36 μ s	\pm 150ns
T1L	1 code, low level time	0.35 μ s	\pm 150ns
RES	RESET code	50us	

Application Note

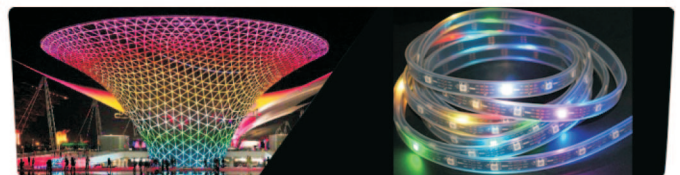


LED screen

Typical Application



Spot light for advertsing



Flexible LED string